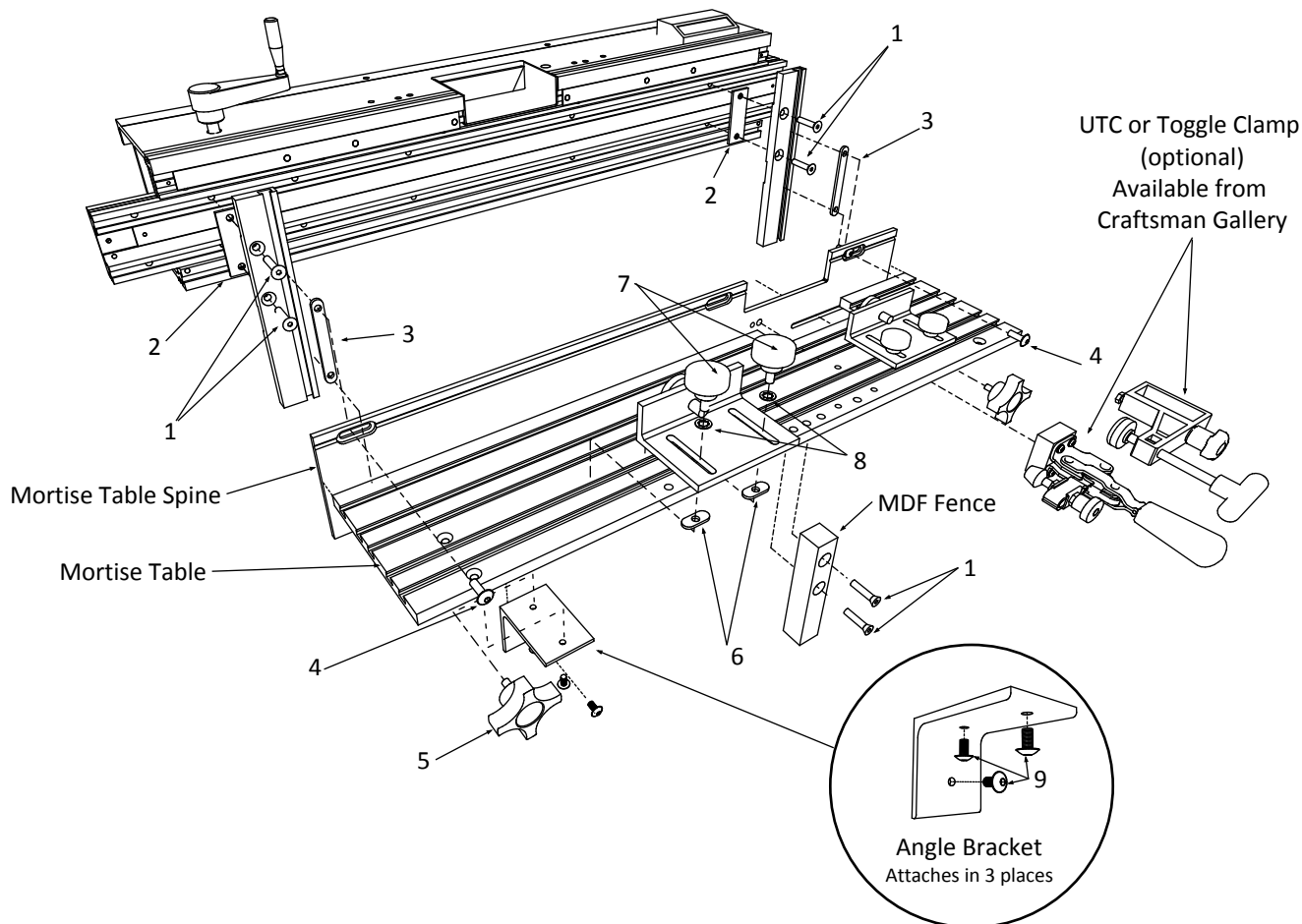
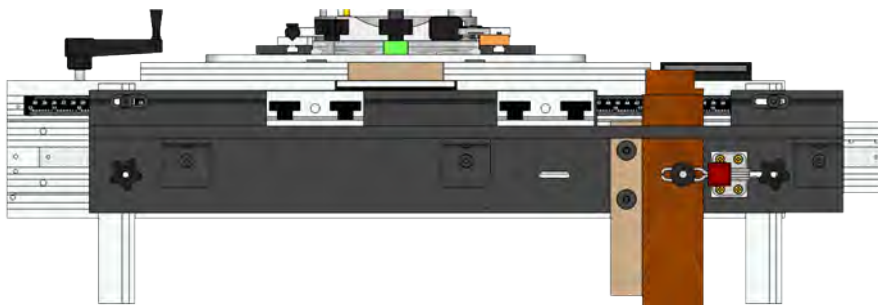


Mortise Table - Horizontal and Vertical Work Holder



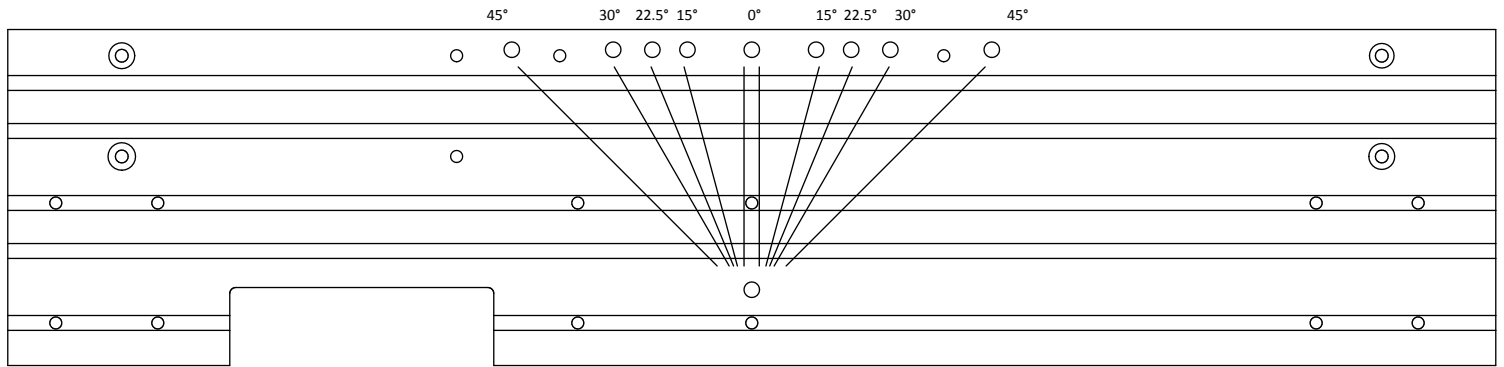
Contents of Router Boss Mortise Rail Fastener Bag

1	6	1/4-20 x 1-1/4" Flat Socket Head Screw	Attach Vertical Support Rail to Sliding Bar and MDF Fence to Spine
2	2	Aluminum Spacer Plate 1/8" Thick	Shim between Vertical Support Rail and Sliding Bar
3	2	1/4-20 T-track bar	Slides in T-track of Vertical Support Rails
4	2	1/4-20 x 3/8" Flange Button Head Screw	Attach Top of Spine to T-track Bar in Vertical Support Rails
5	2	Four-Arm Knob with 1/4-20 x 1/2" Stud	Attach Bottom of Spine to T-track Bar in Vertical Support Rails
6	4	1/4-20 Oval Nut	Attach Vise Clamps to Table T-track
7	4	Round Knob with 1/4-20 x 1/2" Stud	Attach Vise Clamps to Table T-track
8	4	1/4" Inside Tooth Lock Washer	Use on Vise Clamp Knobs
9	9	1/4-20 x 7-16" Socket Head Screws	Attach Angle Brackets to Spine and Table
			Also included
	2	1/4-20 x 3/4" Flat Head Cap Screws	Attach Fixed Fence to Table
	2	3/16" Aluminum Spacer Plates	Use with Table in vertical position and Riser Plate/Router Table Fences
	3	Yellow Angle Setting Stop Pins	

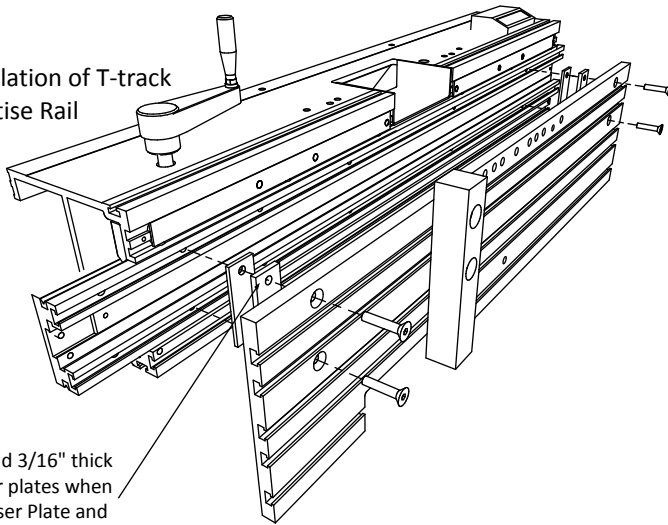


Mortise Table - Vertical Mounting

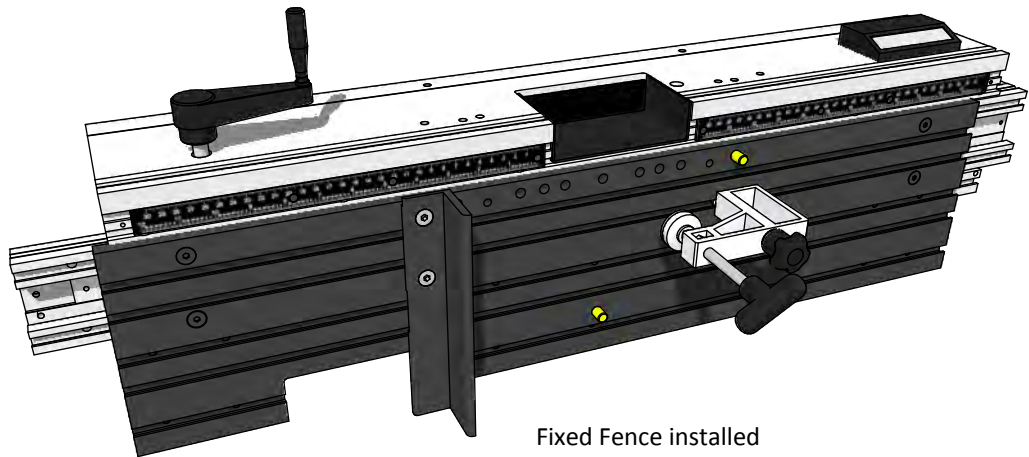
Angle settings
Insert yellow stop pins into holes as indicated for desired angles



Alternate installation of T-track portion of Mortise Rail



Add 3/16" thick spacer plates when using Riser Plate and Router Table Fences.



Fixed Fence installed

