



Helping you choose the right PlungeBar

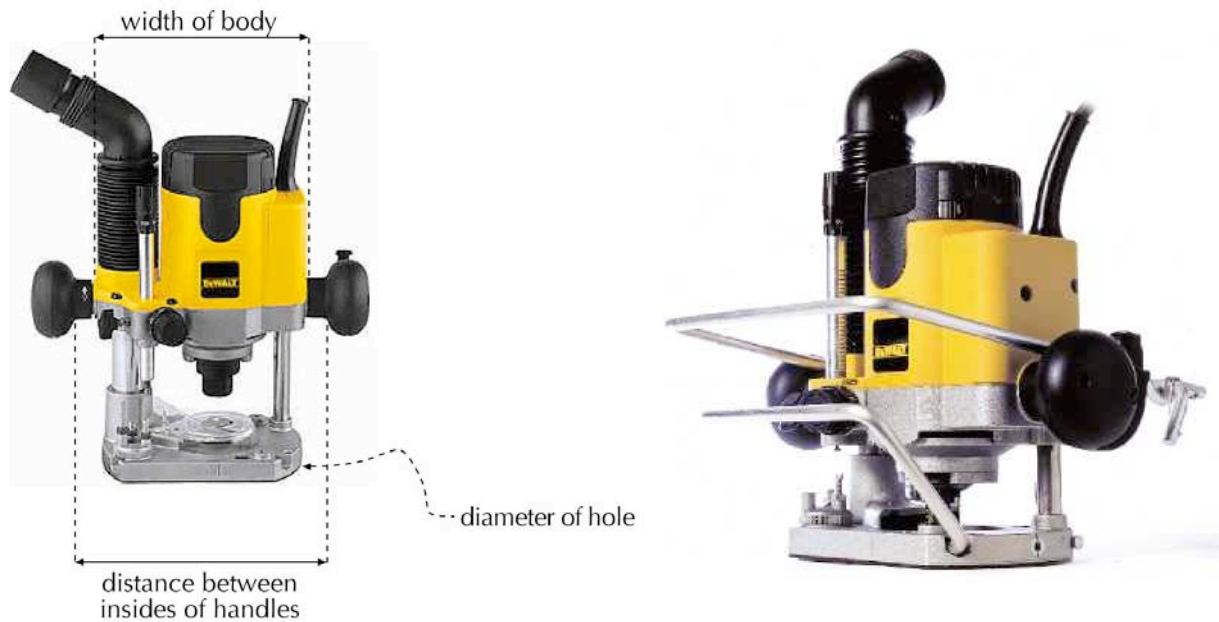
The PlungeBar is a very useful device for smoothly depthing a router with one hand instead of two. We produce six different types of PlungeBars, to fit different types of routers. To find out which PlungeBar fits your router, please go to: <http://www.woodrat.com/pb2.html>.

Because there are so many different routers (some we don't even know of), and because new routers are developed regularly, your router might not be listed on our website. This doesn't mean you can't get a PlungeBar to fit it; it just means that we haven't heard of your router or haven't yet tested which PlungeBar works with it.

To find out whether or not there is a PlungeBar that fits your router, you need to know three things:

- 1- the width of the body of your router,
- 2- the distance between the insides of the handles,
- 3- the diameter of the holes that normally hold the guide-fence.

The picture below illustrates which measurements you need.

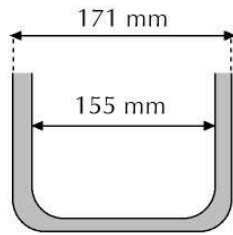


The upper bar will rest on top of the handles, and therefore needs to fit between the insides of those handles and the body of the router. The two lower bars are inserted into the holes for the guide-fences, in the base of the router. If the diameter of those holes is too small, the PlungeBar won't fit. It's usually no problem if the holes are too big, because the bars can be held in place by a bolt.

The illustration below shows the dimensions of the upper bars for different PlungeBars. It also shows the diameters of the lower bars for each PlungeBar. These dimensions should give you an idea of which PlungeBar is suitable for your router. Please note that we haven't included dimensions for PlungeBar A and E, because these only fit particular makes of routers.

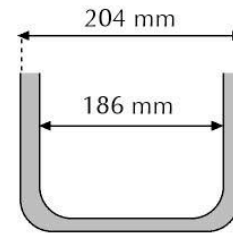
PlungeBar B

Diameter = 8 mm



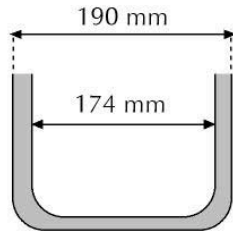
PlungeBar C

Diameter = 9 mm



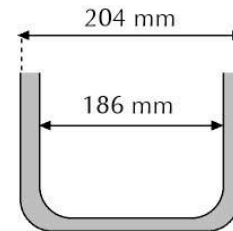
PlungeBar D

Diameter = 8 mm



PlungeBar F

Diameter = 9 mm



Our smallest PlungeBar is type B. This is suitable for most 1/4" plunge-routers. The next one up in size is type D. This PlungeBar fits most 8mm routers. The biggest available PlungeBars are types C and F. They are identical in size and fit most 1/2" routers. The difference between the two is that type F is supplied with a block to support one side of the upper bar. This is needed for routers with handles at uneven heights.

As a general rule, a PlungeBar will fit if the dimensions of the upper bar are compatible with the dimensions of your router, and if the holes in the base are big enough to take the lower bars. However, there are some exceptions.

- If your router has a switch in the handle, the upper bar of the PlungeBar might rest on this and operate it each time you use the PlungeBar. This is not only inconvenient, but also unsafe. The Ryobi ERT1150V is an example of this.
- The holes in the base of your router should be positioned east to west when you're looking at the front of the machine. Some routers, like the Milwaukee OFSE1000, have the holes positioned north to south. A PlungeBar won't work with such a machine. Also, some routers have no holes in their base at all. It's not possible to fit a PlungeBar to these routers. Most Porter Cable routers fall into this category.
- Festool manufactures routers with one normal handle and a special piston-grip handle, which is located at the top of the router. This type of design is incompatible with the PlungeBar.



If your router isn't one of the exceptions, and your measurements show there is a PlungeBar in the right size for it, you can safely order a Plungebar. If you are unsure, you can always contact us. To quickly help you decide which PlungeBar fits your router, we would need to know the make and model and the dimensions of your router. It would also be useful if you could supply a picture of it. The best way to contact us about this by sending an email to support@WoodRat.com. Alternatively, you can phone us at 0845 458 2033 (UK – local rate) or at +44 1458 832 744 (worldwide).